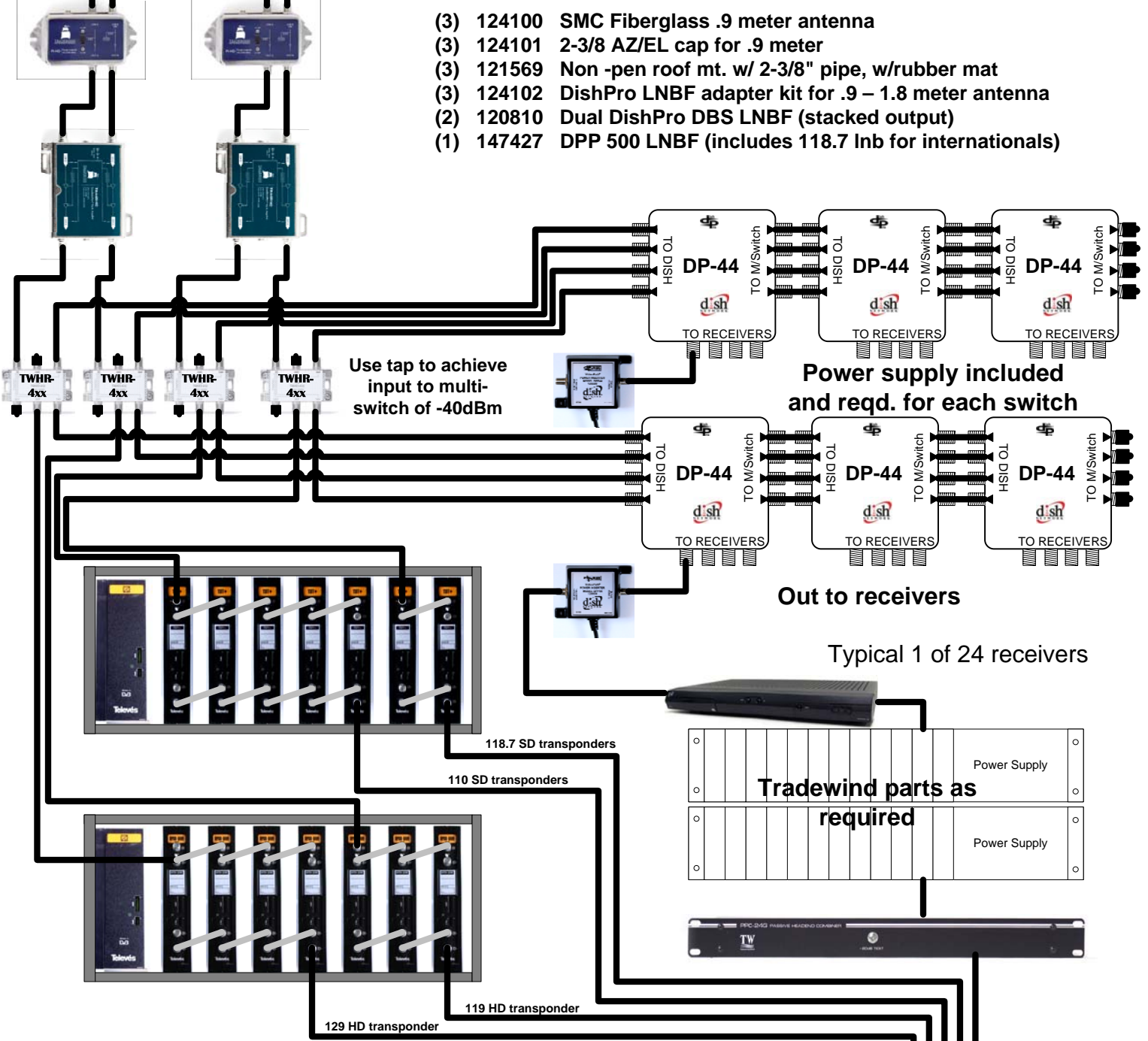


**24 ch. Analog with digital overlay including internationals**



Both ports output 18v

- (3) 124100 SMC Fiberglass .9 meter antenna
- (3) 124101 2-3/8 AZ/EL cap for .9 meter
- (3) 121569 Non -pen roof mt. w/ 2-3/8" pipe, w/rubber mat
- (3) 124102 DishPro LNBF adapter kit for .9 – 1.8 meter antenna
- (2) 120810 Dual DishPro DBS LNBF (stacked output)
- (1) 147427 DPP 500 LNBF (includes 118.7 lnb for internationals)



Use tap to achieve input to multi-switch of -40dBm

Power supply included and reqd. for each switch

Out to receivers

Typical 1 of 24 receivers

Tradewind parts as required

- 140876 standard-def TDT transparent digital transmodulator/transcoder (one transcoder required for each SD transponder)
- 140875 high-def TDT transparent digital transmodulator/transcoder (one transcoder required for each HD transponder)
- 140877 TDT PSU power supply (one required for every 7 TDTs)
- 140879 TDT 19" Rack Adaptor (holds 1 PSU and 7 TDTs)
- 140878 Programming Unit

Out to distribution