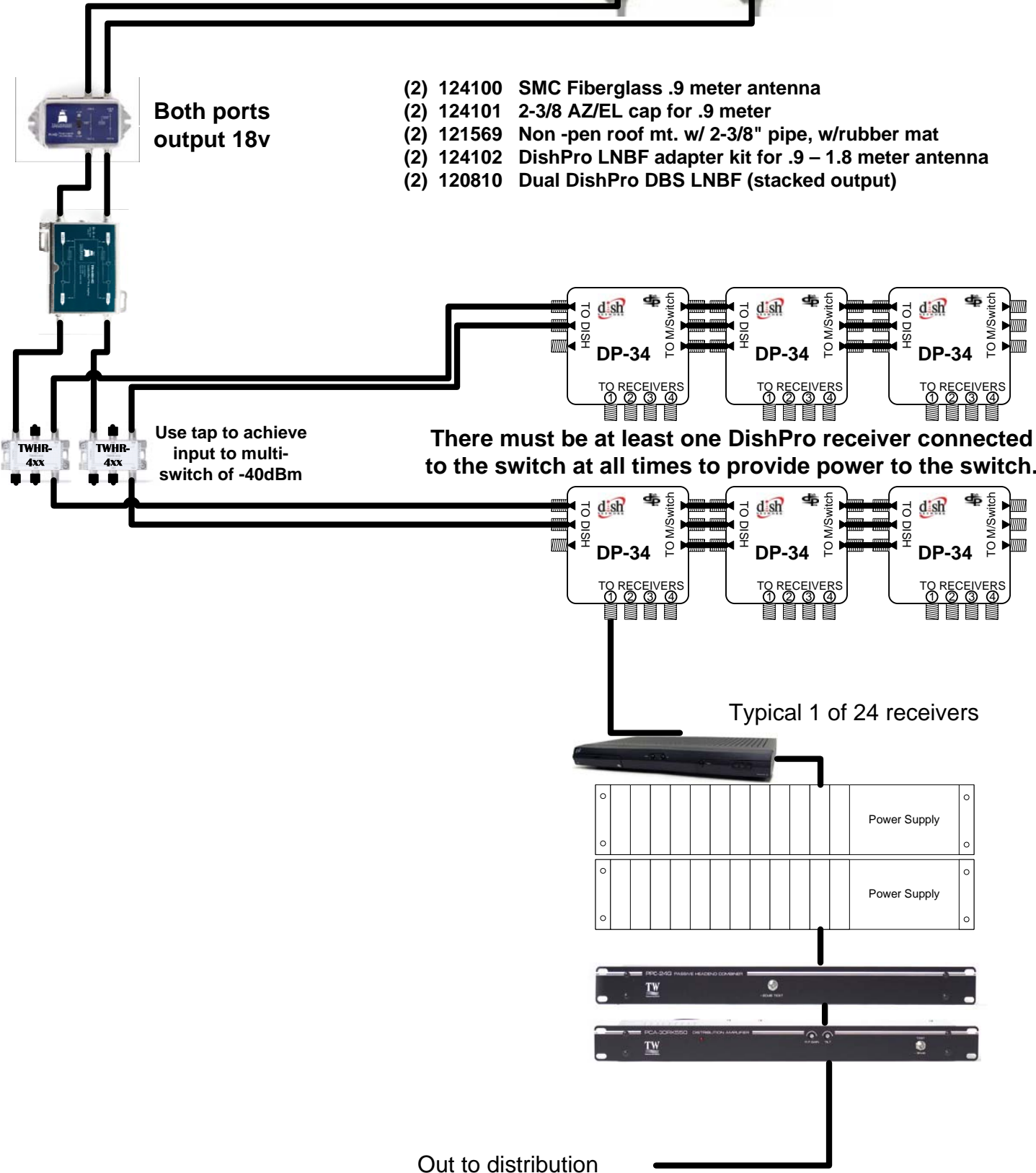


24 – channel analog without internationals



- (2) 124100 SMC Fiberglass .9 meter antenna
- (2) 124101 2-3/8 AZ/EL cap for .9 meter
- (2) 121569 Non-pen roof mt. w/ 2-3/8" pipe, w/rubber mat
- (2) 124102 DishPro LNBF adapter kit for .9 – 1.8 meter antenna
- (2) 120810 Dual DishPro DBS LNB (stacked output)

Both ports
output 18v

Use tap to achieve
input to multi-
switch of -40dBm

There must be at least one DishPro receiver connected
to the switch at all times to provide power to the switch.

Typical 1 of 24 receivers

Out to distribution